



DRIP GUARD

Rooftop Defense Systems®

Installation Instructions

Warning!

Do not attempt to install G2 Drip Guard under inclement weather, high winds, electrical storms or ice conditions, that will make installation dangerous. Stay clear of all power lines, antennas and phone lines during the installation.

Installation Basics and Tips

Before you begin to install the G2 Drip Guard, there are some basic installation requirements that need to be followed.

These instructions contain two icons which aid in the proper installation of the G2 Drip Guard.



This icon will give installation tips which will ensure proper installation.



The warning icon will point out areas that require extra attention.

Parts List :

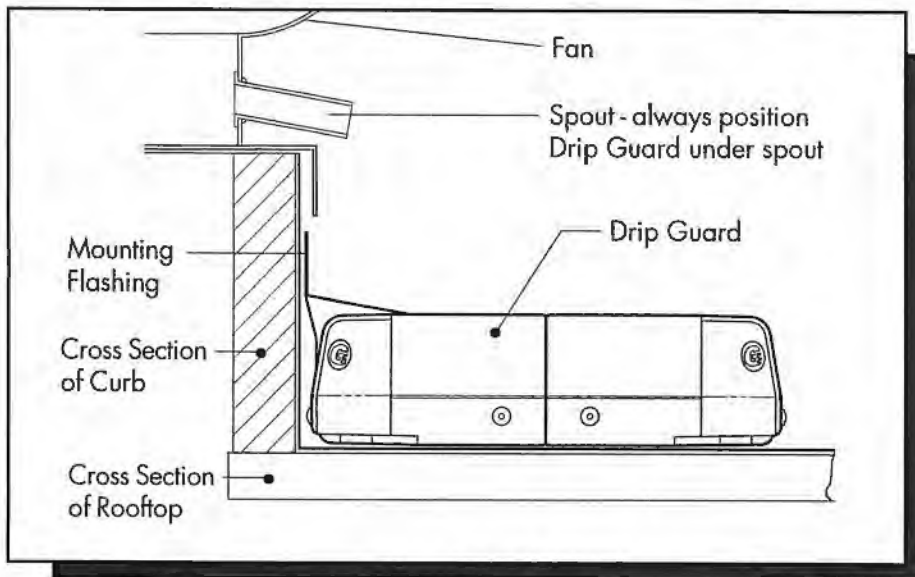
- (1) Pre-Assembled Drip Guard (Model #G2-SM20)
- (4) 1" Self-tapping Flashing Screws
- (1) Instruction Sheet


Tools Required :

- (1) 5/16" Hex Head Drive Socket
- (1) Cordless Drill (recommended for use with 5/16" Hex Head Drive Socket)
- (1) General Purpose Level

POSITION DRIP GUARD ON ROOF AGAINST THE CURB

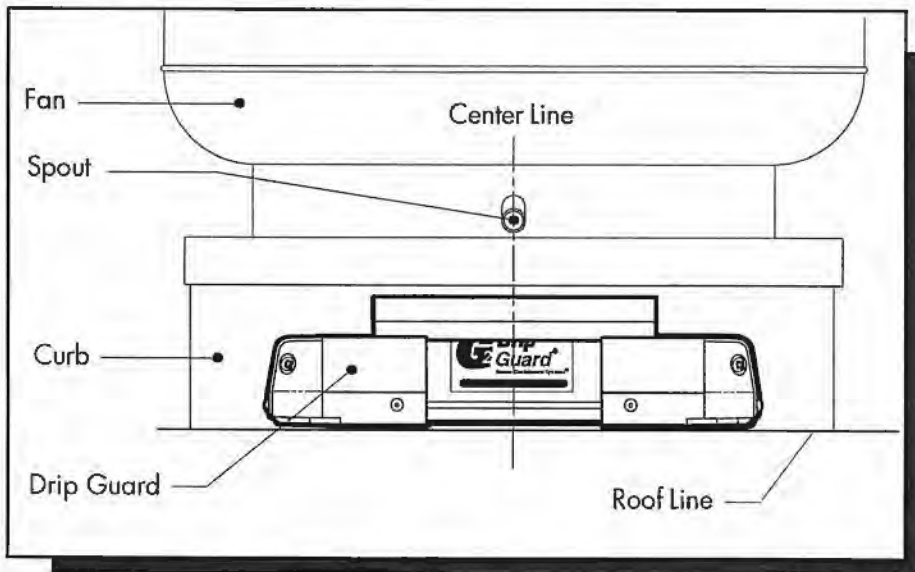
1




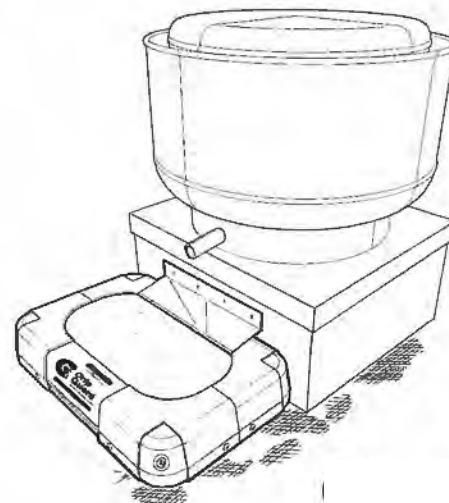
 Caulk along the top edge of flashing after unit is mounted to the curb to prevent any grease seepage behind flashing.

CENTER DRIP GUARD UNDER SPOUT

2



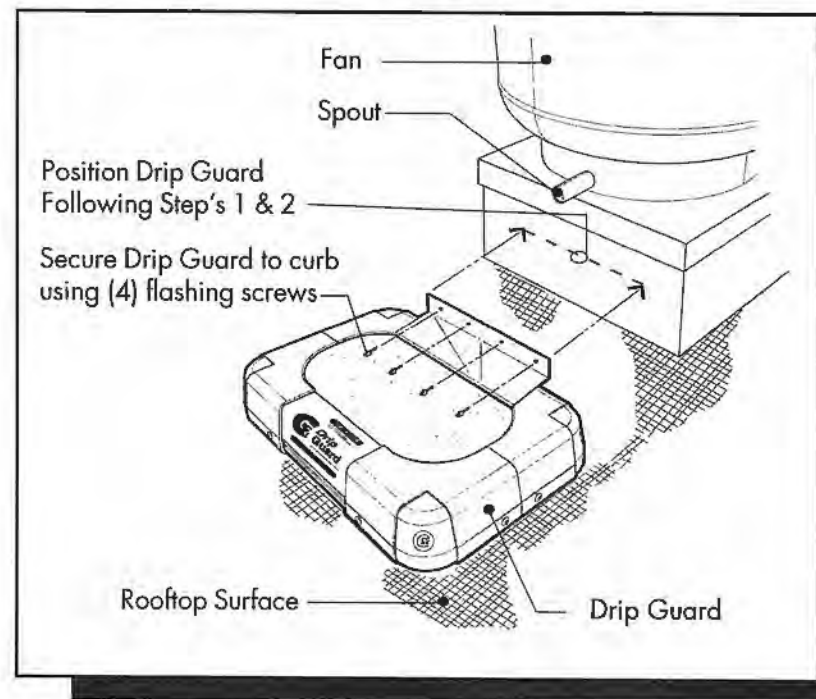
 Using a Tape Measure, center Drip Guard under spout as shown here before securing to the curb with flashing screws.



Rooftop Mounted

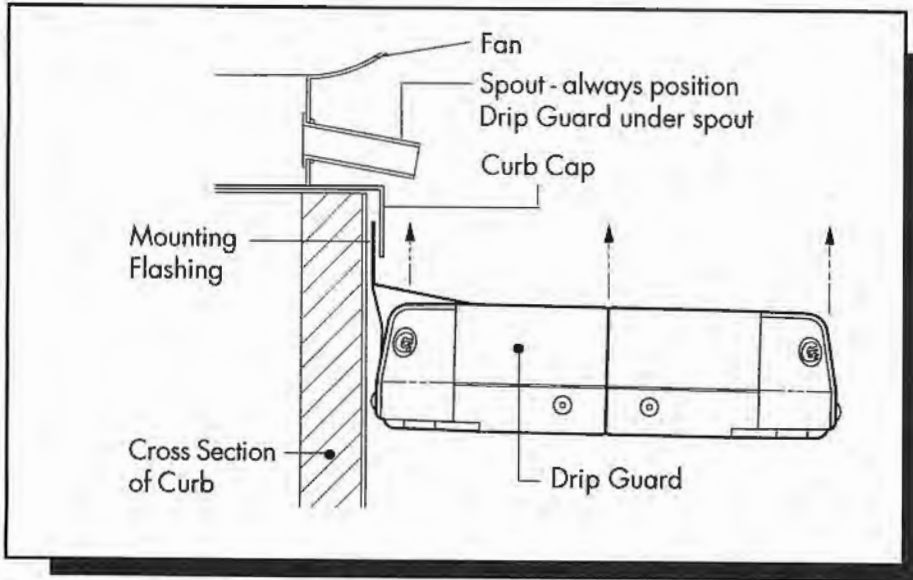
SECURE DRIP GUARD TO CURB UNDER SPOUT


3

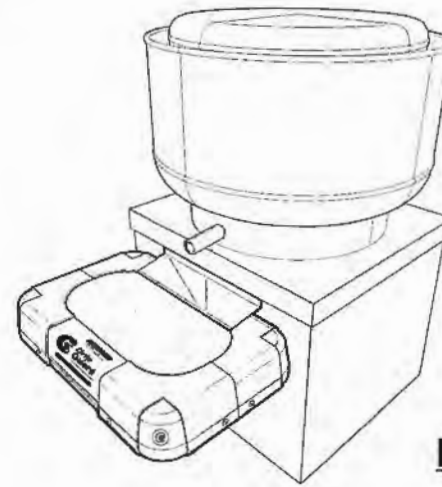


TUCK DRIP GUARD FLASHING UP & UNDER CURB CAP


1



 In case of no Curb Cap, caulk along the top edge of flashing after unit is mounted to the curb to prevent any grease seepage behind flashing.

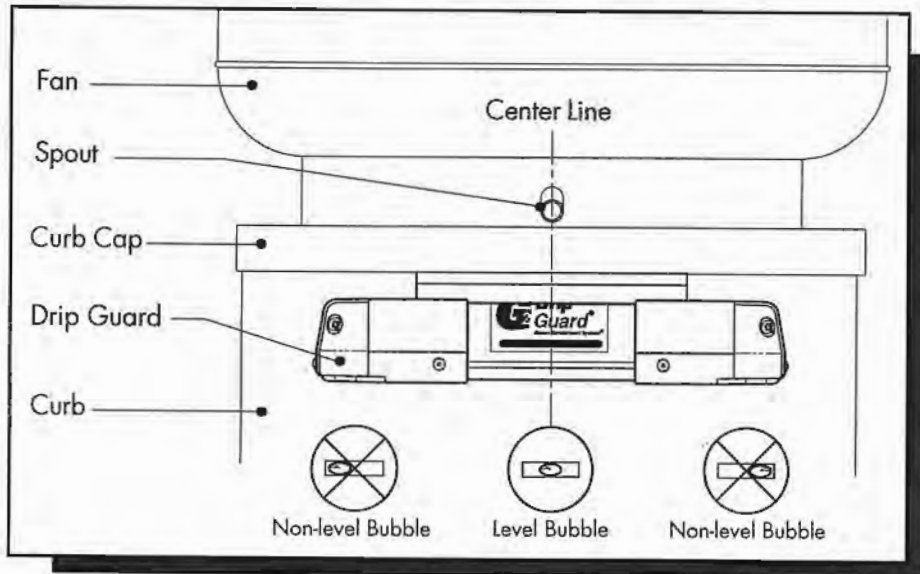



Elevated Installation

 The G2 Drip Guard is not UL Listed when installed elevated above the roof .

LEVEL AND CENTER DRIP GUARD UNDER SPOUT

2



 Using a Level, level-off Drip Guard as shown here before securing to the curb with flashing screws.

SECURE DRIP GUARD TO CURB UNDER SPOUT

3

