



GREASE GUARD®

Rooftop Defense Systems®



Windbar Kit Assembly and Installation Instructions

Table of Contents

Installation Basics & Tips	1
General Guidelines and Safety Information	1
Tools Required	1
Windbar Kit Parts List	2
G2® Windbar Kit Assembly	3-5

Installation Basics and Tips

Before you begin to install the G2 Elevation and Bottom Kit, there are some basic installation requirements that need to be followed.

These instructions contain two icons which aid in the proper installation of the G2 Elevation and Bottom Kit.



This icon will give installation tips which will ensure proper installation.



The warning icon will point out areas that require extra attention.

General Guidelines and Safety Information

Warning!

Do not attempt to install G2 Grease Guard or G2 Windbar Kit under inclement weather, high winds, electrical storms or ice conditions, that will make installation dangerous. Stay clear of all power lines, antennas and phone lines during the installation.

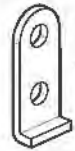
Tools Required

The following tools are required for the installation of the G2 Grease Guard Windbar Kit:

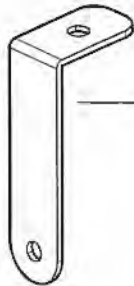
- 5/16" Hex key (provided with EK/BK)
- Adjustable Wrench or 1/2" Open End Wrench
- Vise Grips

Windbar Kit Parts List

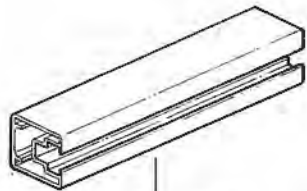
Mounting Components



Windbar Clamp Plate
Qty. = 4



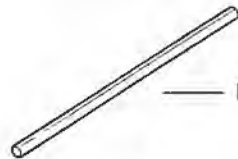
Windbar Frame Angle Clamp
Qty. = 4



Windbar Tube
Qty. = 2

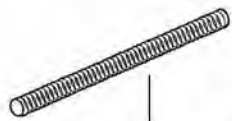


HDP Connector
Qty. = 8



Hold Down Pole (HDP)
Qty. = 8

Fasteners



Threaded Rod
Qty. = 2



Square Nut
Qty. = 8



Button Head Cap Screw
Qty. = 8



Hex Nut
Qty. = 4

Notes:

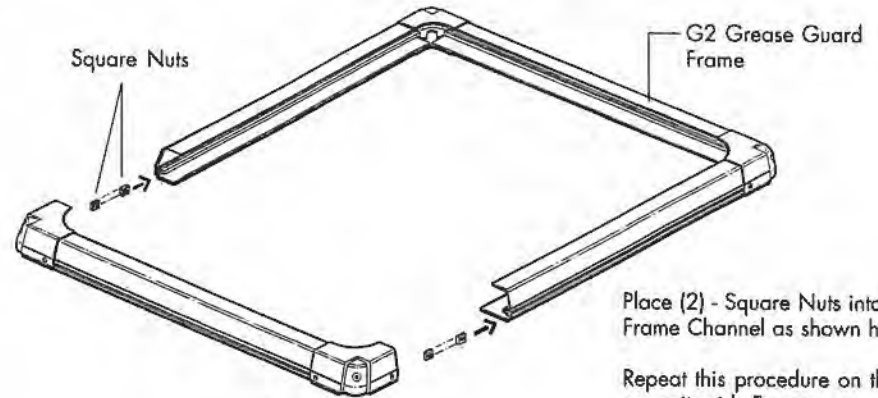
1. Windbar Tube, Hold Down Pole and Threaded Rod lengths vary for each model.
2. Hold Down Pole and HDP Connector may increase for custom Units.

Windbar Kit Assembly

Step 1

Prepare G2 Grease Guard Frame for attachment of Windbar Kit.

Refer to G2 Unit instructions for proper assembly of the G2 Grease Guard Frame.

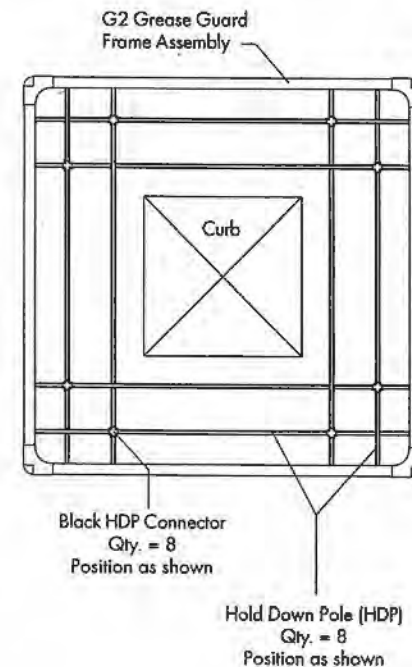


Step 2

Hold Down Pole Grid Configuration for a Windbar Kit.

Refer to G2 Unit instructions for proper assembly of the G2 Grease Guard.

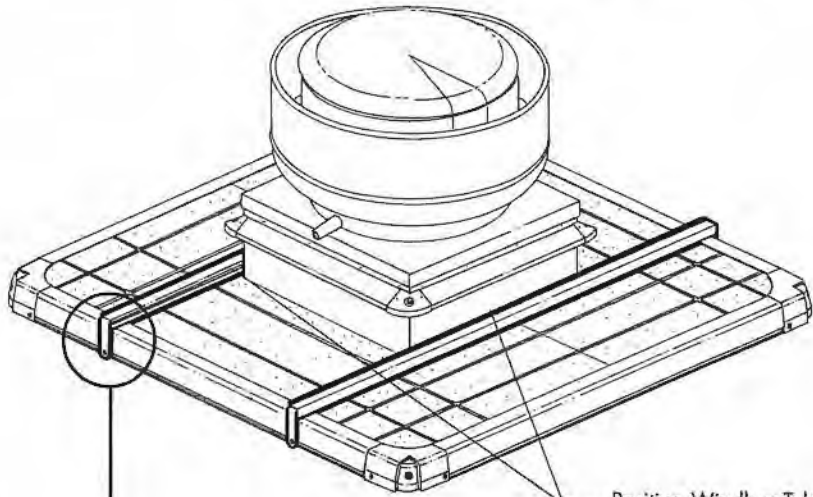
HDP Connector Installation:



For added strength, interweave the Hold Down Poles at intersections with no HDP Connectors.

Step 3

Attach Windbar Tubes to the G2 Grease Guard Frame



Position Windbar Tubes up against the curb with the channel facing the curb as shown.

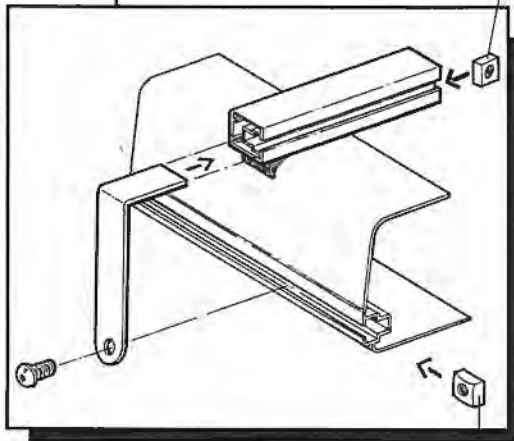
Place (1) Square Nut into the channel of the Windbar Tube on each end. (for preparation of **Step 4**)

Position short leg of the Windbar Frame Angle Clamp into the upper slot of the Windbar Tube as shown here.

Align the hole on the long leg of the Windbar Frame Angle Clamp with the square nut in the G2 Grease Guard Frame Channel.

Tighten into place with (1) Button Head Cap Screw.

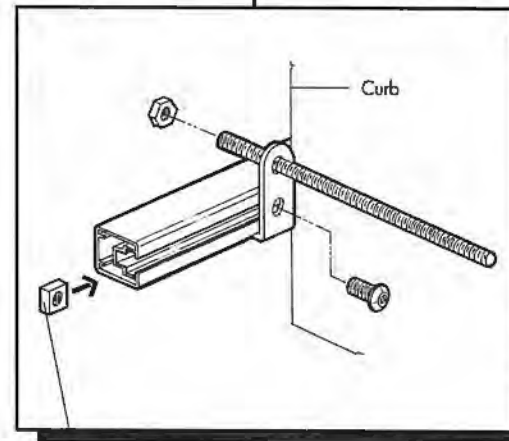
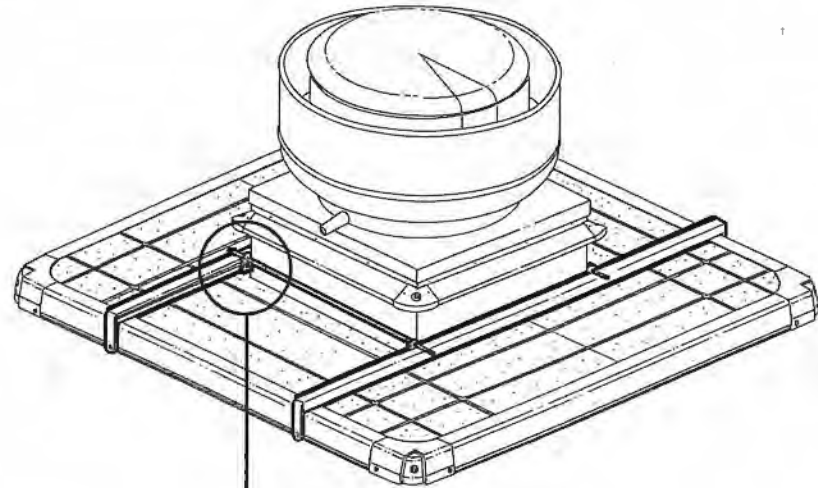
Repeat procedure on all ends of the Windbar Tubes.



Square Nut - placed into the G2 Grease Guard Frame Channel in **Step 1**.

Step 4

Secure Windbar Tubes to the curb.



Square Nut - placed into the Windbar Channel in **Step 3**.

Align the Windbar Clamp Plate with the square nut in the Windbar tube Channel as shown.

Position the Windbar Clamp Plate up against the curb and tighten into place with (1) Button Head Cap Screw.

Repeat procedure at all corners of the curb.

Once the Windbar Clamp Plates are in position; insert (1) Threaded Rod thru the top holes of (2) aligned Windbar Clamp Plates.

Tighten the Threaded Rod up against the Windbar Clamp Plates using (1) hex nut on each end.

Repeat procedure for Windbar Clamp Plates on opposite side of the curb.