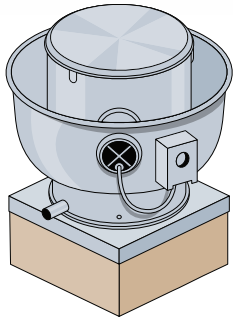


APPLICATION GUIDE

CHOOSING THE APPROPRIATE GREASE GUARD*

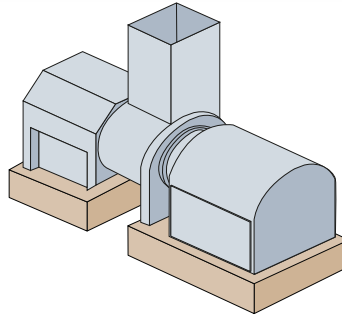


ROOFTOP SOLUTIONS
A Grease Guard LLC Company



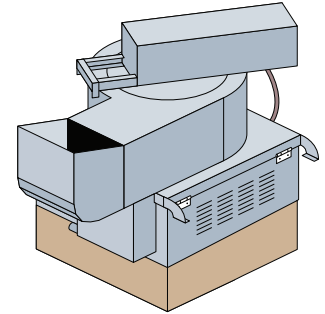
UBLAST EXHAUST FAN

GG Model	Curb Dimensions
XD 66	MAX 40" X 40"
XD 99	MAX 73" X 73"
DRIP GUARD	ALL



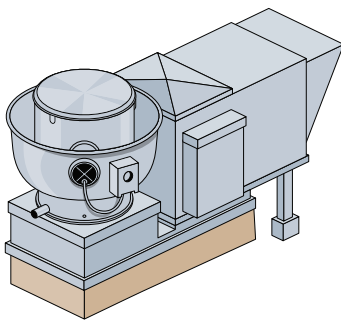
UTILITY SET EXHAUST FAN

GG Model	Curb Dimensions
XD 66X99	MAX 40" X 73"
XD 99X132	MAX 73" X 106"
DRIP GUARD	SOME



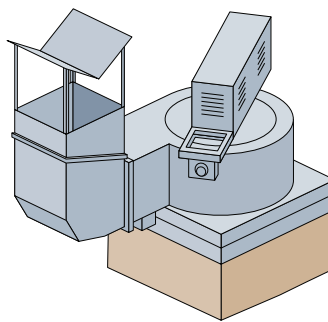
SUPREME EXHAUST FAN

GG Model	Curb Dimensions
XD 99	MAX 73" X 73"
XD 132	MAX 106" X 106"
DRIP GUARD	ALL



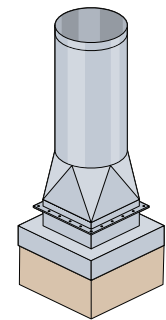
COMBO MUA EXHAUST FAN

GG Model	Curb Dimensions
XD 66X99	MAX 40" X 73"
XD 99X132	MAX 73" X 106"
DRIP GUARD	ALL



INLINE UTILITY EXHAUST FAN

GG Model	Curb Dimensions
XD 66	MAX 40" X 40"
XD 66X99	MAX 40" X 73"
DRIP GUARD	ALL



EXHAUST STACK

GG Model	Curb Dimensions
XD 132	MAX 106" X 106"
CUSTOM	CUSTOM
DRIP GUARD	NONE

* Sizes and product recommendations shown are for typical applications. All variables should be considered when choosing a Grease Guard. Grease Guards are available in any configuration of 33" x 66". Recommendations shown are standard filter sets (XD). Heavy Duty (XHD) filter sets are available for any unit. For help sizing the appropriate Grease Guard please contact our sales team. Not all variations of Grease Guard are represented in this application guide. Drip Guards can be used in conjunction with standard Grease Guards. Drip Guard recommendations vary application to application. For full install instructions contact us.

Questions not answered?

Give us a call or visit us!

www.rooftopsolutions.com

1-800-913-7034