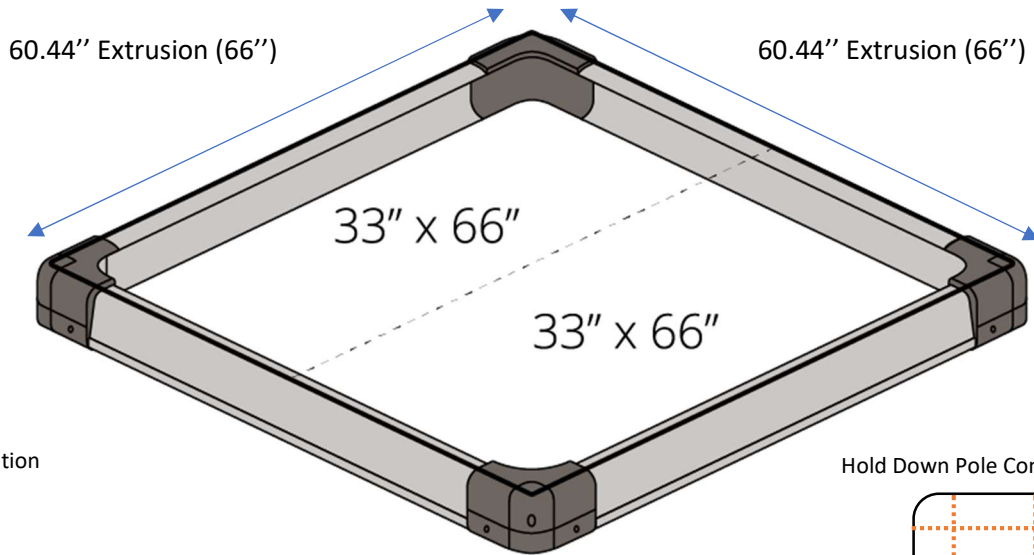


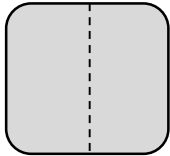
GREASE GUARD UNIT PACKING DIAGRAM

XD 66" X 66" - "STANDARD UNIT" - #02-3366

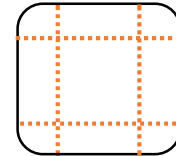
Unit Overview: This is designed for most standard up blast fans or square curb applications. If additional parts are needed or for filter replacements please contact our sales team at sales@rooftopsolutions.com



Fireshield Configuration



Hold Down Pole Configuration



Please note that Quick Connect Corners add 5.56" (2.78" each) to the total single side length of the unit.

MATERIAL LIST			
SIZE	ITEM DESCRIPTION	QTY	BOX
33" x 66"	Whites (Tops)	4	FB2
33" x 66"	Blues (Centers)	2	FB2
33" x 63"	Fireshield Sheets	2	EXT66
60.44"	Extrusions	4	EXT66
65"	Hold Down Poles	4	EXT66
	Corner/Hardware Kit	1	FB2
30"	Flashing	4	EXT66

Hardware Kit includes: (4) Quick Connect Corners, (4) Hold Down Pole Connectors, Flashing screws, 3/16" hex key, and full installation instructions. Hardware kits are included with filter boxes (FB2). **Look for hardware kit sticker on this box. Additional parts required will be provided in the material list.**

BOXING CONFIGURATION			
# OF BOXES	BOX NAME	BOX DIM	BOX WGT.
1	FB2	36x20x22	28
2	EXT66	66x8x4	25

NOTES:

- (Curb not shown) Filters are cut to fit around curb.
- Fire Shield layers are installed within inside framing area. For full installation instructions please see the guide provided with your corner/hardware kit.

SUITABLE EXHAUST EQUIPMENT: CURB SIZES 18" - 40"

