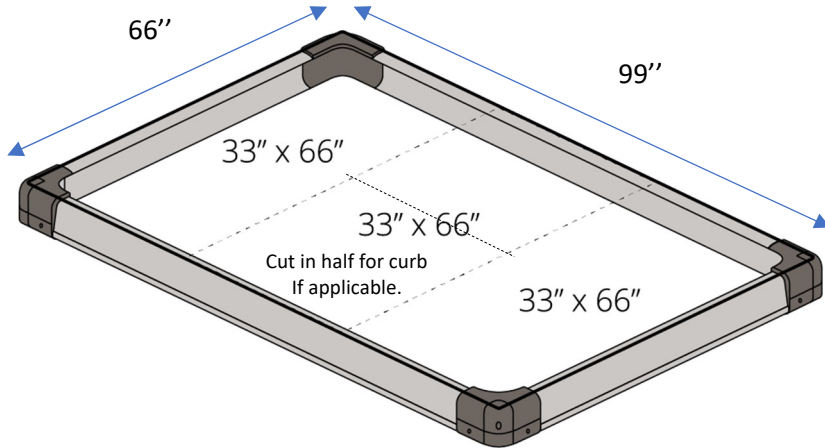
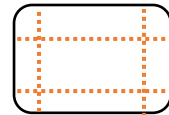


GREASE GUARD UNIT PACKING DIAGRAM

XD 66" X 99"- "STANDARD UTILITY TYPE" - # 066-099-XD (LEGACY PART # 03-3366)



Hold Down Pole Configuration



Please note that Quick Connect Corners add 5.56" (2.78" each) to the total single side length of the unit.



MATERIAL LIST

SIZE	ITEM DESCRIPTION	QTY	BOX
33" x 66"	Whites (Tops)	6	FB2
33" x 66"	Blues (Centers)	3	FB2
33" x 66"	Fireshield Sheets	3	FB2
60.44"	Extrusions	2	EXT100
93.44"	Extrusions	2	EXT100
65"	Hold Down Poles	2	EXT100
98"	Hold Down Poles	2	EXT100
	Corner/Hardware Kit	1	FB2
30"	Flashing	2	EXT100
40"	Flashing	2	EXT100

BOXING CONFIGURATION

# OF BOXES	BOX NAME	BOX DIM	BOX WGT.
1	FB2	36x20x22	28
2	EXT100	100x8x4	36

NOTES:

-  (Curb not shown) Filters are cut to fit around curb.
-  Fire Shield layers are installed within inside framing area. For full installation instructions please see the guide provided with your corner/hardware kit.

Hardware Kit includes: (4) Quick Connect Corners, (4) Hold Down Pole Connectors, Flashing screws, 3/16" hex key, and full installation instructions. Hardware kits are included with filter boxes (FB2). **Look for hardware kit sticker on this box.**
Additional parts required will be provided in the material list.