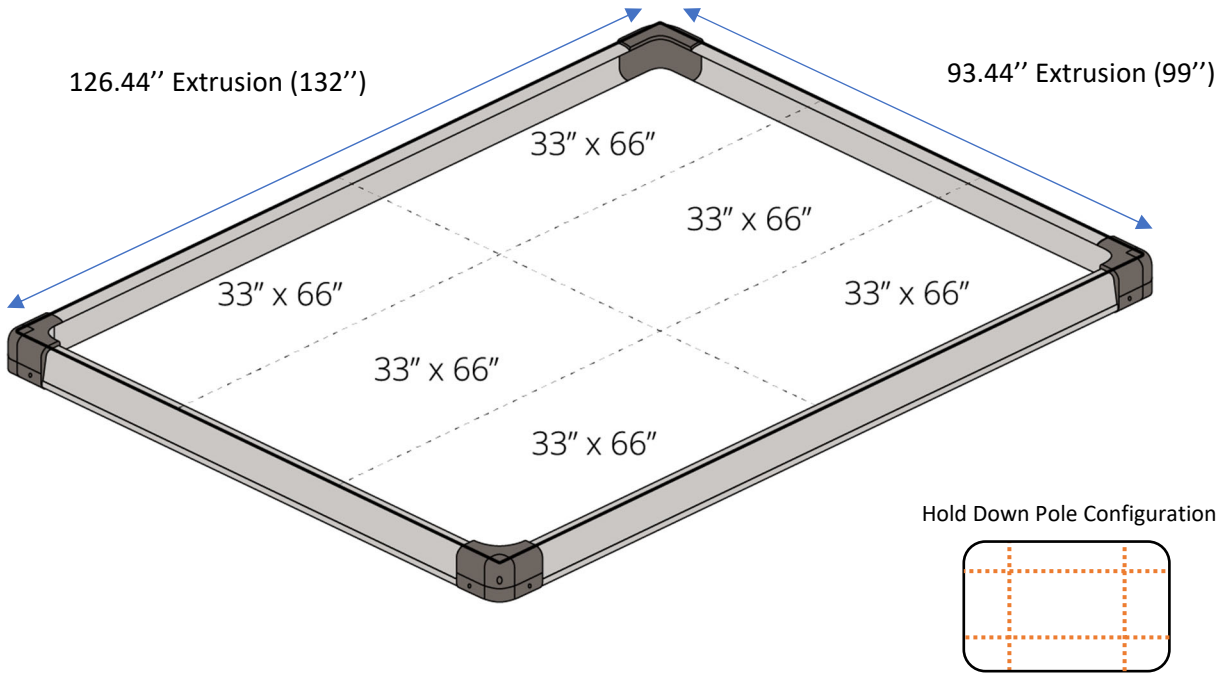


# GREASE GUARD UNIT PACKING DIAGRAM

XD 99" X 132"- "EXTRA-LARGE UTILITY TYPE" - 099-132-XD (LEGACY PART #06-3366)



Please note that Quick Connect Corners add 5.56" (2.78" each) to the total single side length of the unit.




## MATERIAL LIST

SIZE	ITEM DESCRIPTION	QTY	BOX
33" x 66"	Whites (Tops)	12	FB2
33" x 66"	Blues (Centers)	6	FB2
33" x 66"	Fireshield Sheets	6	FB2
93.44"	Extrusions	2	EXT132
126.44"	Extrusions	2	
98"	Hold Down Poles	2	EXT132
131"	Hold Down Poles	2	
	Corner/Hardware Kit	1	FB2
40"	Flashing (UPON REQUEST)	4	EXT132

## BOXING CONFIGURATION

# OF BOXES	BOX NAME	BOX DIM	BOX WGT.
1	FB2	36x20x22	28
2	FB2	36x20x22	25
3	FB2	36x20x22	25
4	EXT132	132x8x4	36

### NOTES:

-  Flashing is only available for this unit upon request.
-  (Curb not shown) Filters are cut to fit around curb.
-  Fire Shield layers are installed within inside framing area. For full installation instructions please see the guide provided with your corner/hardware kit.

Hardware Kit includes: (4) Quick Connect Corners, (4) Hold Down Pole Connectors, Flashing screws, 3/16" hex key, and full installation instructions. Hardware kits are included with filter boxes (FB2). **Look for hardware kit sticker on this box.**  
**Additional parts required will be provided in the material list.**